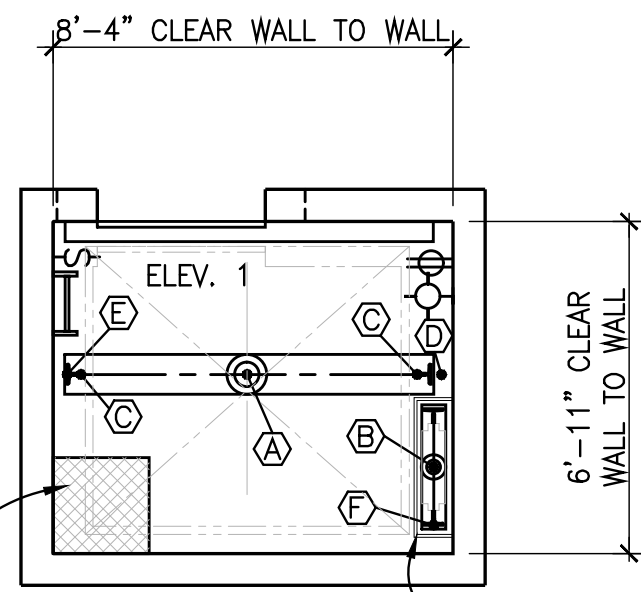


FIELD VERIFY ALL DIMENSIONS - REFER TO SPECIFICATION FOR DISPOSITION OF EQUIPMENT.

ELEVATOR CONTRACTOR PROVIDE PERMANENT MEANS TO ACCESS BUFFER AND UNDERSIDE OF CAR AS REQUIRED.

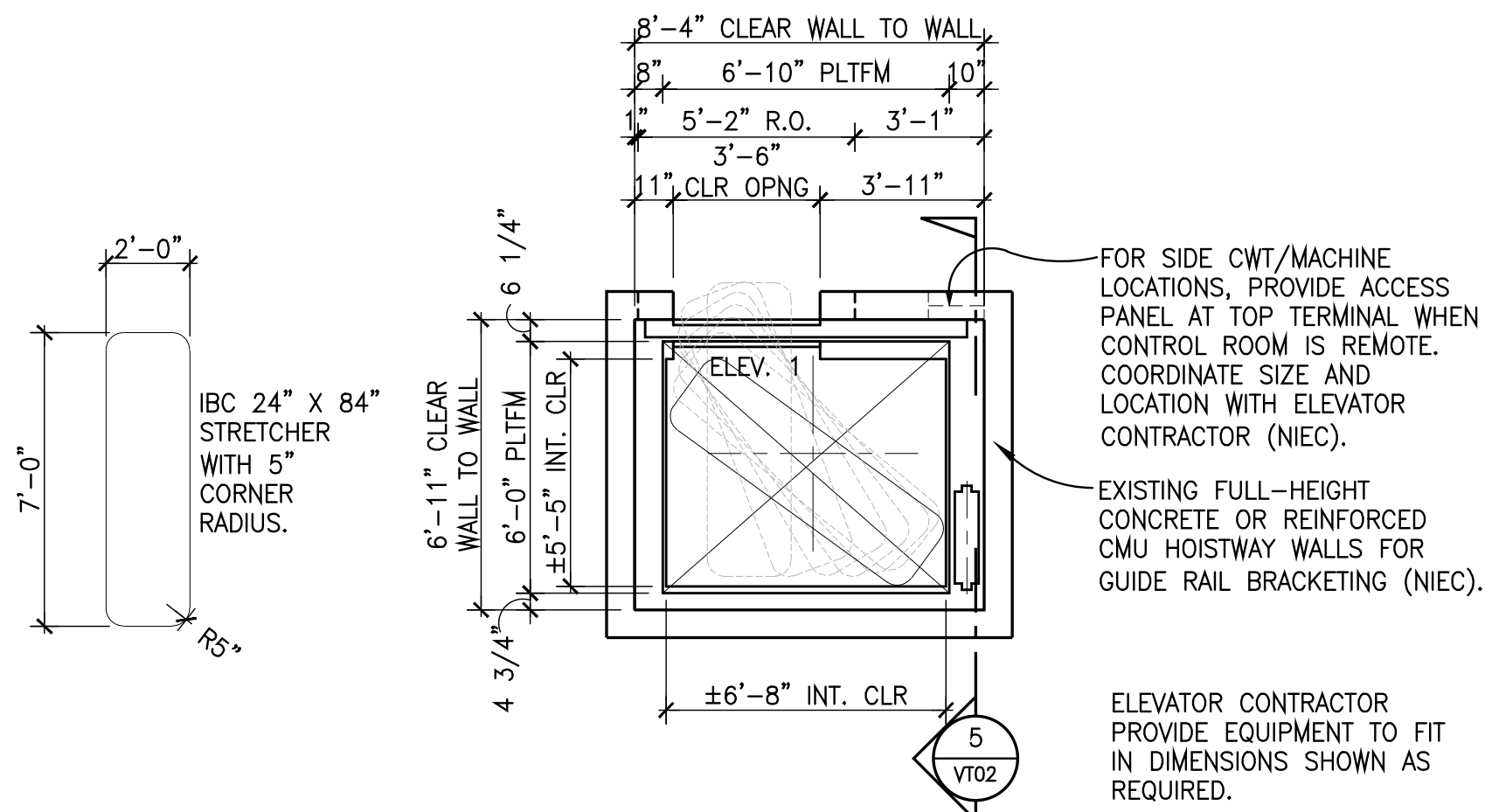
PIT REACTIONS VARY PER VENDOR BASED ON CWT LOCATION AND METHOD OF HOIST MACHINE SUPPORT. COORDINATE FINAL PIT REACTIONS WITH ELEVATOR SHOP DRAWINGS.

PROVIDE INDIRECT PIT DRAIN OR SUMP WITH GRATING COVER LEVEL WITH PIT FLOOR (NIEC).



ELEVATOR CONTRACTOR TO PROVIDE COUNTERWEIGHT GUARD PER CODE.

1
VT02
PIT PLAN ELEVATOR 1
SCALE: 1/4" = 1'-0"
DUTY: 3500# @ 150 FPM

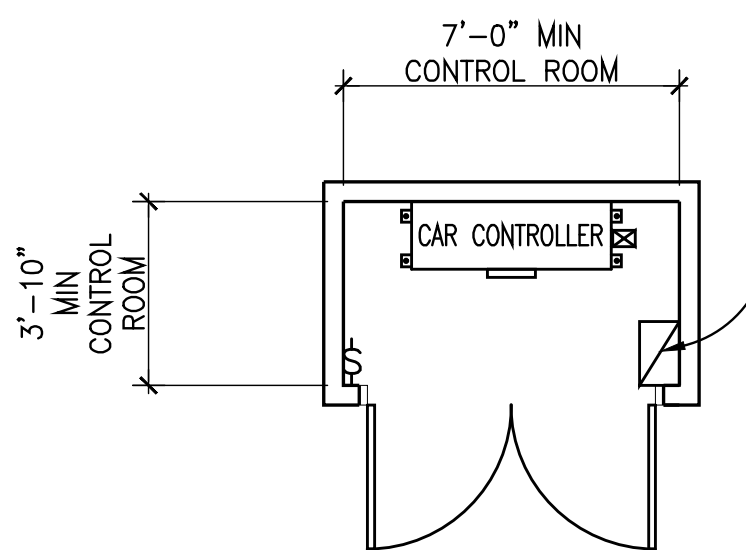


FOR SIDE CWT/MACHINE LOCATIONS, PROVIDE ACCESS PANEL AT TOP TERMINAL WHEN CONTROL ROOM IS REMOTE. COORDINATE SIZE AND LOCATION WITH ELEVATOR CONTRACTOR (NIEC).

EXISTING FULL-HEIGHT CONCRETE OR REINFORCED CMU HOISTWAY WALLS FOR GUIDE RAIL BRACKETING (NIEC).

ELEVATOR CONTRACTOR PROVIDE EQUIPMENT TO FIT IN DIMENSIONS SHOWN AS REQUIRED.

2
VT02
HOISTWAY PLAN ELEVATOR 1
SCALE: 1/4" = 1'-0"
DUTY: 3500# @ 150 FPM



PROVIDE 3-PHASE MAINLINE POWER FEEDER WITH DISCONNECTING MEANS FOR EACH ELEVATOR CONTROLLER. PROVIDE 1-PHASE FEEDER WITH DISCONNECTING MEANS FOR CAR LIGHTING, VENTILATION SYSTEM AND RECEPTACLE FOR EACH ELEVATOR. THESE DISCONNECTING MEANS SHALL INCLUDE OVERCURRENT PROTECTION, SHALL BE LOCATED IN THE MACHINE ROOM, AND SHALL MEET N.E.C. REQUIREMENTS (NIEC).

FOR MOST VENDORS, CONTROLLER MUST BE WITHIN 150' WIRE RUN LENGTH FROM THE CORRESPONDING MACHINE AT THE TOP OF THE HOISTWAY.

3
VT02
REMOTE CONTROL ROOM PLAN ELEVATOR 1
SCALE: 1/4" = 1'-0"
DUTY: 3500# @ 150 FPM

PIT REACTION TABLE		
DUTY: 3500# @ 150 FPM		
KEY	REACTION	DESCRIPTION
(A)	50.0 K	CAR BUFFER
(B)	47.0 K	CWT BUFFER
(C)	29.0 K EACH	CAR SAFETY (SEE CAR R3 RAIL FORCE)
(D)	*25.0 K	DRIVE MACHINE LOAD ON CAR RAIL COMBINED WITH CWT DEH LOAD ON CWT RAIL
(E)	*18.0 K	DYNAMIC LOAD ON CAR RAIL
(F)	*7.8 K	DYNAMIC LOAD ON CWT RAIL

* THESE REACTIONS CAN OCCUR SIMULTANEOUSLY. OTHERWISE, REACTIONS DO NOT OCCUR SIMULTANEOUSLY.

PIT NOTES:

PROVIDE ADEQUATE LIGHTING TO MAINTAIN MIN. 100 LUX (10 FC) ILLUMINATION AT PIT FLOOR (NIEC).

PROVIDE PIT ACCESS LADDERS, LIGHT SWITCHES, LIGHTS, AND GFCI-PROTECTED UTILITY OUTLETS (NIEC).

PROVIDE ONE PIT LADDER, LIGHT SWITCH, LIGHT FIXTURE, AND OUTLET PER ELEVATOR.

PROVIDE ADEQUATE STRUCTURAL SUPPORT REQUIRED FOR BUFFER AND RAIL FORCE REACTIONS (NIEC).

NOTES:

- APPLICATION DESIGNED FOR:
OTIS
KONE
SCHINDLER
THYSSEN

PIT AND OVERHEAD PLANS INDICATE REACTIONS FOR MACHINE ROOM-LESS EQUIPMENT OF VARIOUS ELEVATOR VENDORS. WHERE REACTIONS OF DIFFERENT VENDORS OVERLAP, THE HIGHER REACTION IS INDICATED. REACTIONS FOR ONE VENDOR DO NOT OCCUR WITH THE REACTIONS OF OTHER VENDORS. OVERHEAD PLANS ARE NOT SHOWN FOR VENDORS WITH NO REACTIONS IN THE OVERHEAD.

CONTROL ROOM NOTES:

PROVIDE SELF-CLOSING, SELF-LOCKING CONTROL ROOM ACCESS DOOR (NIEC).

PROVIDE ADEQUATE LIGHTING TO MAINTAIN MIN. 200 LUX (19 FC) ILLUMINATION AT CONTROL ROOM FLOOR (NIEC).

PROVIDE LIGHT(S), LIGHT SWITCH(ES) AND GFCI-PROTECTED UTILITY OUTLET(S). COORDINATE LOCATIONS WITH ELEVATOR CONTRACTOR (NIEC).

HEAT EMISSION PER ELEVATOR CAR CONTROLLER 9,085 BTUH.

MACHINE BEAM SUPPORT. THIS SUPPORT IS REQUIRED FOR ABOVE CAR MACHINE LOCATION. VERIFY MACHINE LOCATION WITH ELEVATOR CONTRACTOR (NIEC).

OVERHEAD REACTIONS VARY PER VENDOR BASED ON CWT LOCATION AND METHOD OF SUPPORT FOR HOIST MACHINE AND DEAD END HITCHES. COORDINATE FINAL REACTIONS WITH ELEVATOR SHOP DRAWINGS.

4
VT02
OVERHEAD PLAN ELEVATOR 1
SCALE: 1/4" = 1'-0"
DUTY: 3500# @ 150 FPM

PROVIDE 2 LIFELINE ATTACHMENTS AT THE TOP FRONT OF EACH HOISTWAY. EACH ATTACHMENT SHALL BE CAPABLE OF WITHSTANDING 5000# (2268 KG) LOAD PER OSHA. COORDINATE LOCATION OF ATTACHMENTS WITH ELEVATOR CONTRACTOR (NIEC).

HOIST BEAM(S). COORDINATE LOCATIONS WITH ELEVATOR CONTRACTOR (NIEC).

ABOVE CAR MACHINE LOCATION. VERIFY FINAL LOCATION WITH ELEVATOR CONTRACTOR.

SIDE CWT/MACHINE LOCATIONS. VERIFY FINAL LOCATION WITH ELEVATOR CONTRACTOR.

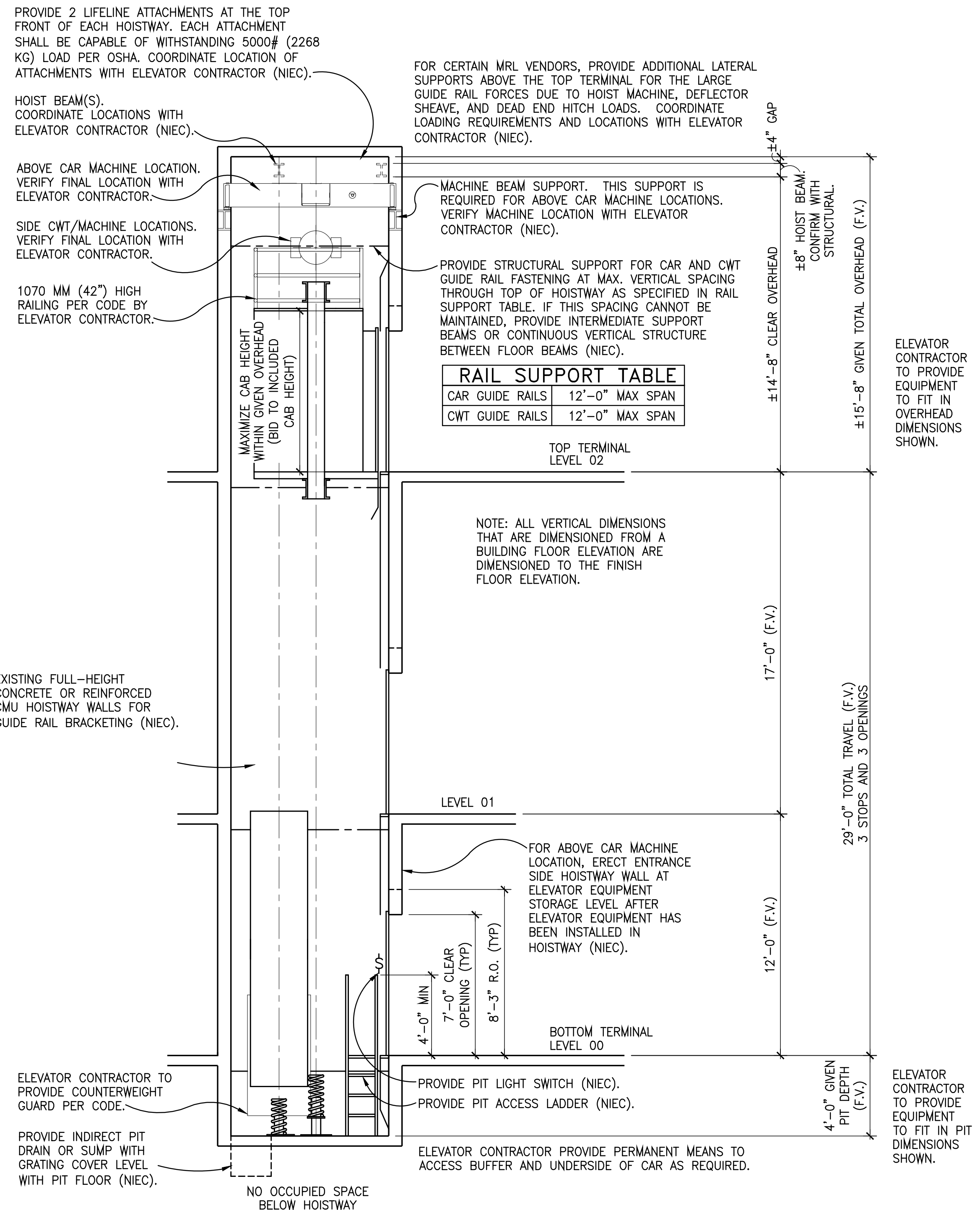
1070 MM (42") HIGH RAILING PER CODE BY ELEVATOR CONTRACTOR.

EXISTING FULL-HEIGHT CONCRETE OR REINFORCED CMU HOISTWAY WALLS FOR GUIDE RAIL BRACKETING (NIEC).

ELEVATOR CONTRACTOR TO PROVIDE COUNTERWEIGHT GUARD PER CODE.

PROVIDE INDIRECT PIT DRAIN OR SUMP WITH GRATING COVER LEVEL WITH PIT FLOOR (NIEC).

5
VT02
HOISTWAY SECTION ELEVATOR 1
SCALE: 1/4" = 1'-0"
DUTY: 3500# @ 150 FPM



FOR CERTAIN MRL VENDORS, PROVIDE ADDITIONAL LATERAL SUPPORTS ABOVE THE TOP TERMINAL FOR THE LARGE GUIDE RAIL FORCES DUE TO HOIST MACHINE, DEFLECTOR SHEAVE, AND DEAD END HITCH LOADS. COORDINATE LOADING REQUIREMENTS AND LOCATIONS WITH ELEVATOR CONTRACTOR (NIEC).

MACHINE BEAM SUPPORT. THIS SUPPORT IS REQUIRED FOR ABOVE CAR MACHINE LOCATIONS. VERIFY MACHINE LOCATION WITH ELEVATOR CONTRACTOR (NIEC).

PROVIDE STRUCTURAL SUPPORT FOR CAR AND CWT GUIDE RAIL FASTENING AT MAX. VERTICAL SPACING THROUGH TOP OF HOISTWAY AS SPECIFIED IN RAIL SUPPORT TABLE. IF THIS SPACING CANNOT BE MAINTAINED, PROVIDE INTERMEDIATE SUPPORT BEAMS OR CONTINUOUS VERTICAL STRUCTURE BETWEEN FLOOR BEAMS (NIEC).

RAIL SUPPORT TABLE	
CAR GUIDE RAILS	12'-0" MAX SPAN
CWT GUIDE RAILS	12'-0" MAX SPAN

TOP TERMINAL LEVEL 02

NOTE: ALL VERTICAL DIMENSIONS THAT ARE DIMENSIONED FROM A BUILDING FLOOR ELEVATION ARE DIMENSIONED TO THE FINISH FLOOR ELEVATION.

LEVEL 01

FOR ABOVE CAR MACHINE LOCATION, ERECT ENTRANCE SIDE HOISTWAY WALL AT ELEVATOR EQUIPMENT STORAGE LEVEL AFTER ELEVATOR EQUIPMENT HAS BEEN INSTALLED IN HOISTWAY (NIEC).

BOTTOM TERMINAL LEVEL 00

PROVIDE PIT LIGHT SWITCH (NIEC).
PROVIDE PIT ACCESS LADDER (NIEC).

ELEVATOR CONTRACTOR PROVIDE PERMANENT MEANS TO ACCESS BUFFER AND UNDERSIDE OF CAR AS REQUIRED.

OVERHEAD REACTION TABLE

DUTY: 3500# @ 150 FPM	
KEY	REACTION
(G)	16.4 K EACH
(H)	11.0 K EACH

REACTIONS HAVE BEEN DOUBLED FOR IMPACT.

OVERHEAD NOTES:

PROVIDE ADEQUATE LIGHTING TO MAINTAIN MIN. 200 LUX (19 FC) ILLUMINATION AT TOP OF HOISTWAY (NIEC).

PROVIDE LIGHTS, LIGHT SWITCHES AND GFCI-PROTECTED UTILITY OUTLETS. COORDINATE LOCATIONS WITH ELEVATOR CONTRACTOR (NIEC).

PROVIDE STRUCTURAL SUPPORT TO SUSTAIN REACTIONS INDICATED (NIEC).

ELEVATOR CONSULTANT:
LERCH BATES
8889 SOUTH LINCOLN STREET, SUITE 205
LITTLETON, COLORADO 80122
TEL. (303) 723-7978
FAX. (303) 723-7982

HISTORIC TRUMAN COURTHOUSE
INTERIOR RENOVATION

102 NORTH MAIN STREET, INDEPENDENCE, MISSOURI 64050

ISSUED FOR CONSTRUCTION

PROJECT NO.	
DATE	10-19-2012
DRAWN BY	JB
CHECKED BY	LB
REVISED DATE	DESCRIPTION

SHEET TITLE & NUMBER
PLANS AND HOISTWAY SECTION ELEVATOR 1

COPYRIGHT © 2012
PIPER-WIND ARCHITECTS, INC.

VT02

CHECKER: S.W.
DESIGNER: J.B.
DATE: 06/25/12

All drawings furnished by Lerch Bates Inc. (LB) are instruments of service and shall remain the sole property of LB. LB shall retain all common law, statutory and other reserved rights, including the copyright thereto. They are to be used only for this project and are not to be modified, distributed or used for any other project, in whole or in part, except with the written authorization of LB. LB accepts no liability for any unauthorized use or modification of these drawings.